

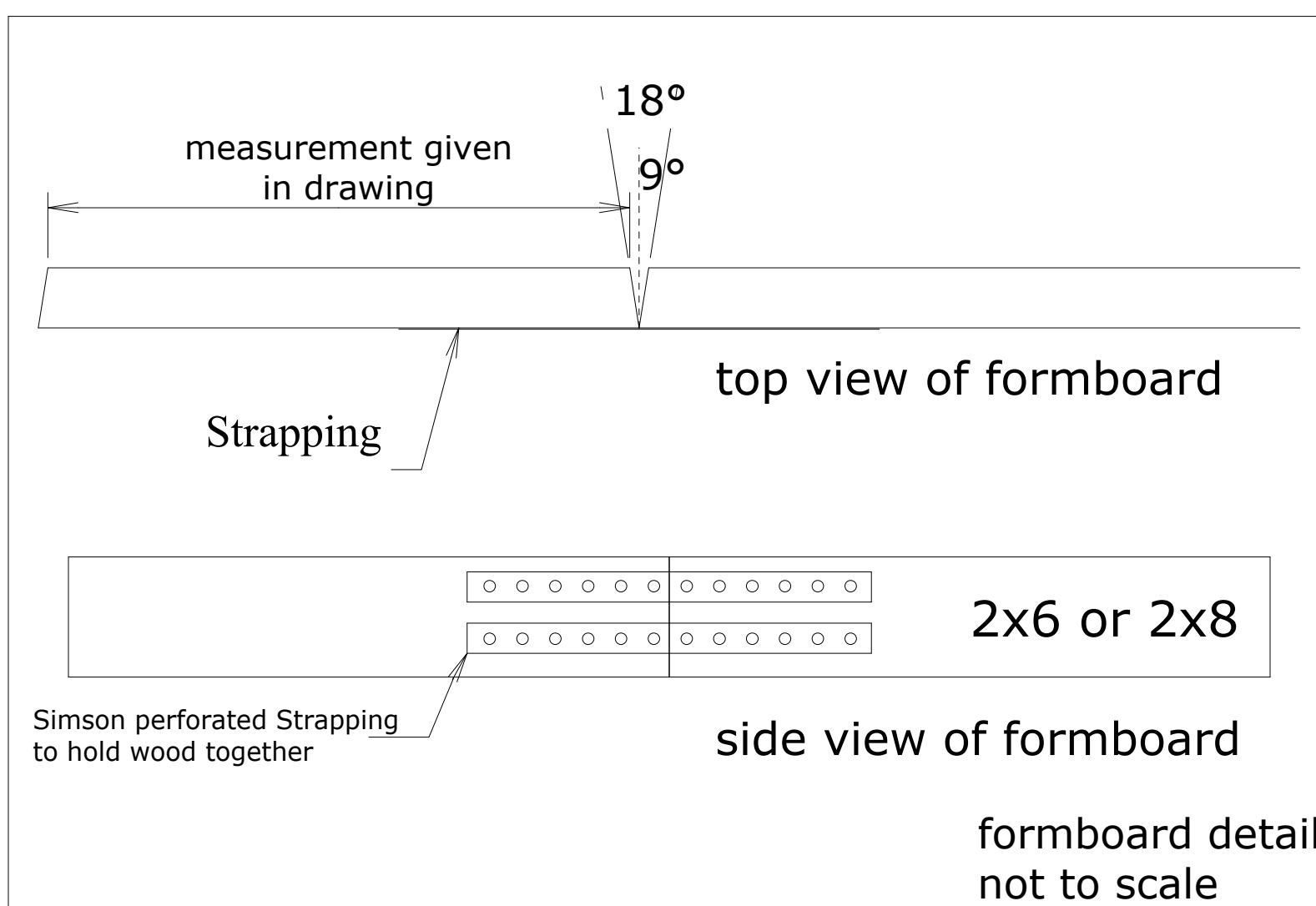
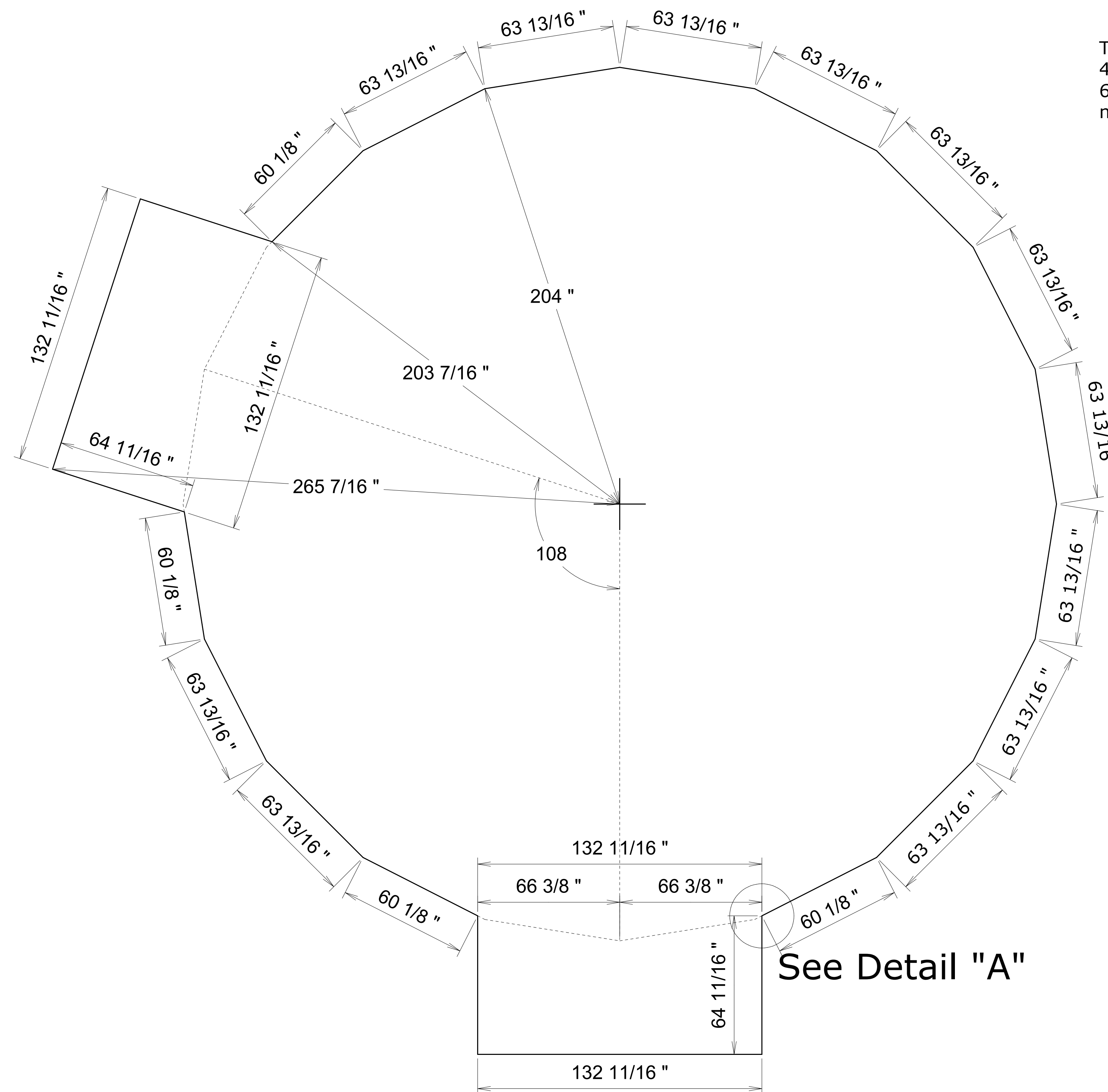
Detail "A" - no scale  
Form board/ extension detail

Cut 20 form boards with inside measurement of 63 13/16". Lay them out and strap them as you go. Each end is 9°. Layout extensions

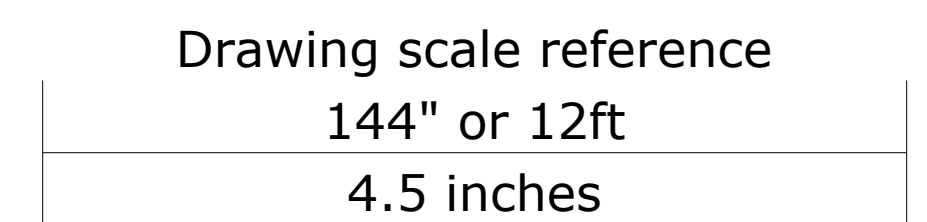
Pour piers and slab first with rebar running through the form boards where the extension(s) will be.

We prefer piers when positioned at every vertice. 12" to 16" dia., as deep as you can go. Engineering fact - piers hold better!

Total square footage: 1000.472 ft<sup>2</sup> including the extension.  
4" thick you need 12.35 yds  
6" thick, 18.53 yards.  
not including footer or piers.



See Detail "A"



<b>GoodKarmaDomes.com</b>		Date:	08/30/06
Scale:	3/8" = 1'	Drawn By:	T. Swaim
34ft Dome - 2x4 Framing - 3/4" decking			