

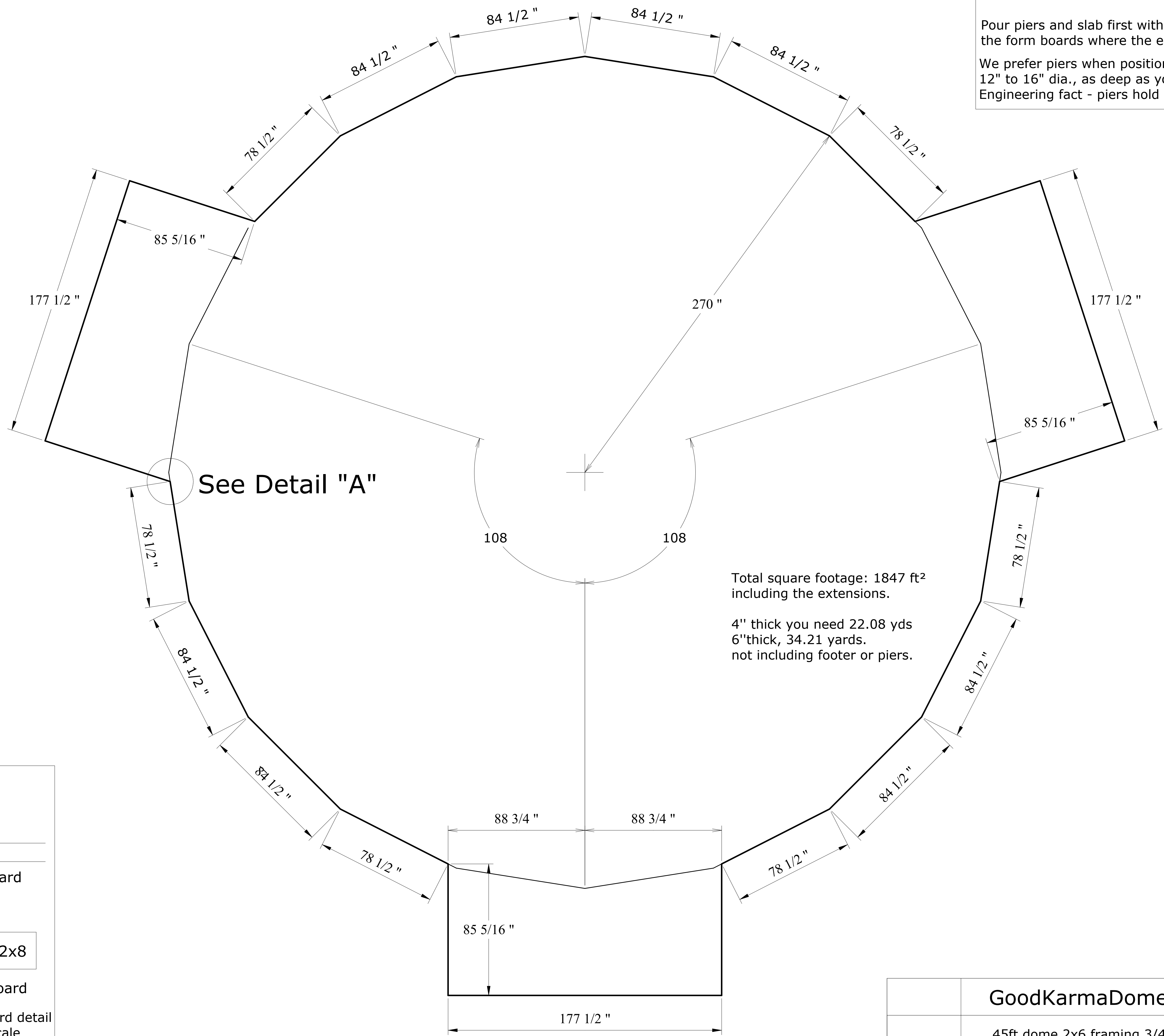
Detail "A" - no scale  
Form board/ extension detail

Cut 20 form boards with inside measurement of 84 1/2". Lay them out and strap them as you go. Each end is 9°. Layout extensions

Pour piers and slab first with rebar running through the form boards where the extension(s) will be.

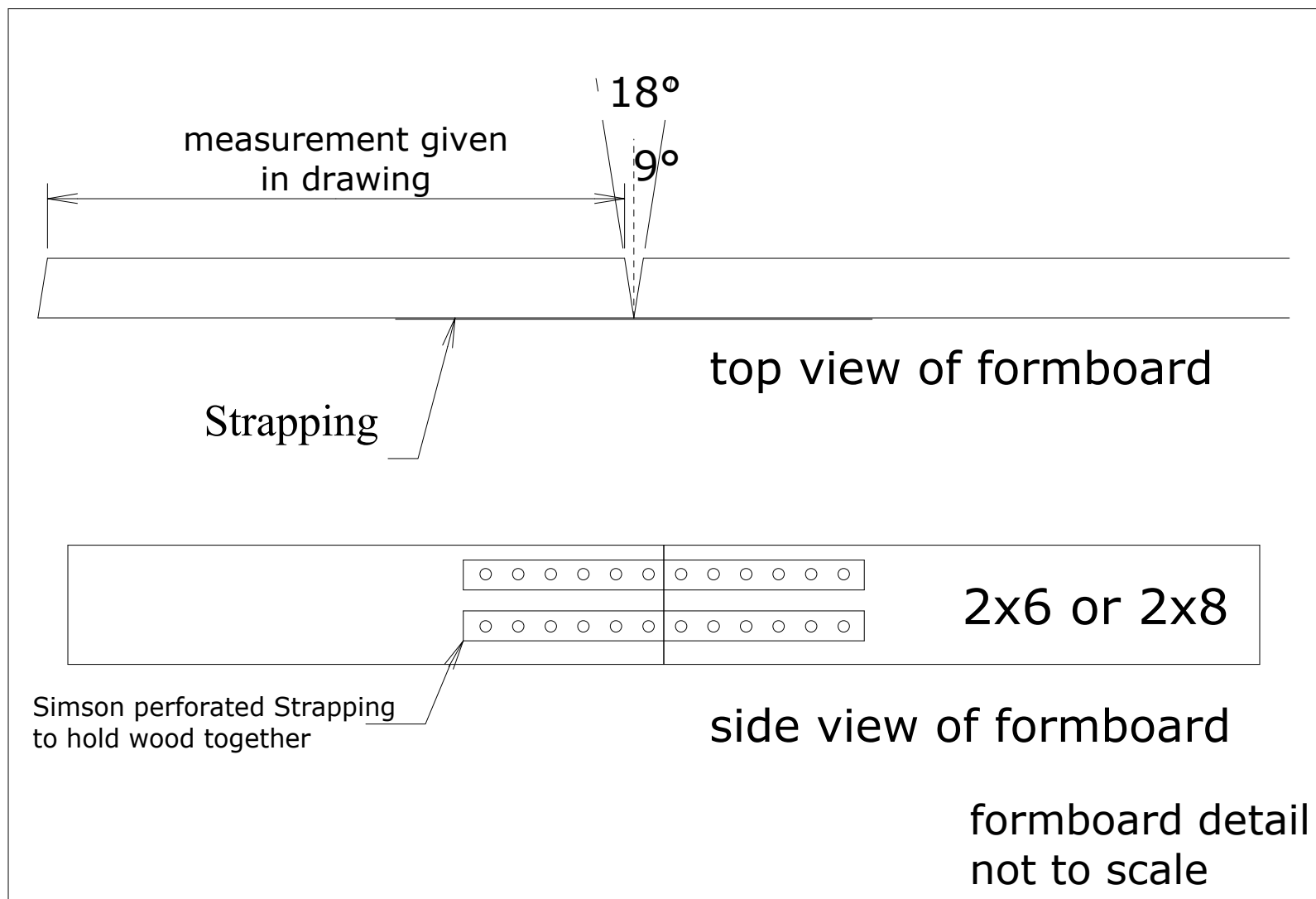
We prefer piers when positioned at every vertice. 12" to 16" dia., as deep as you can go.

Engineering fact - piers hold better!



Total square footage: 1847 ft<sup>2</sup> including the extensions.

4" thick you need 22.08 yds  
6" thick, 34.21 yards.  
not including footer or piers.



formboard detail not to scale

<b>GoodKarmaDomes.com</b>		Date:	09/22/08
45ft dome 2x6 framing 3/4" decking		Drawn By:	T. Swaim