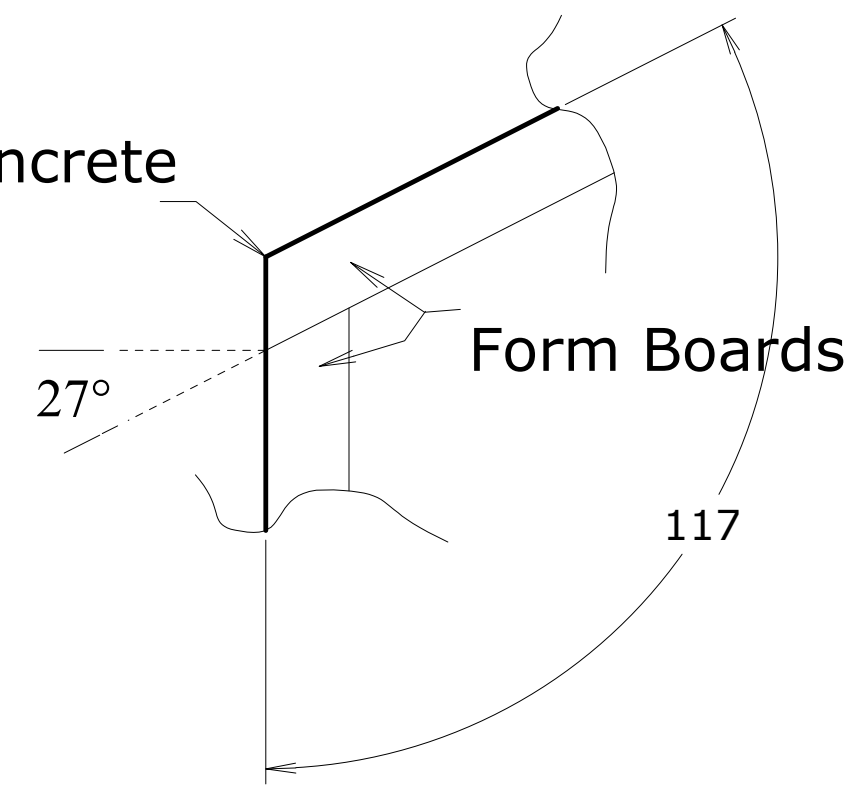


Edge of Concrete



Detail "A" - no scale
Form board/ extension detail

Cut 20 form boards with inside measurement of 102 5/8". Lay them out and strap them as you go. Each end is 9°. Layout extensions

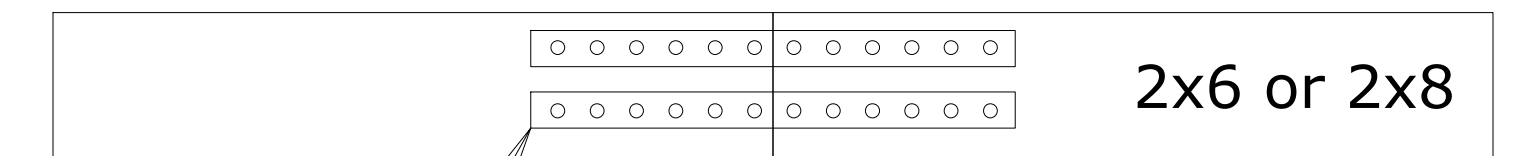
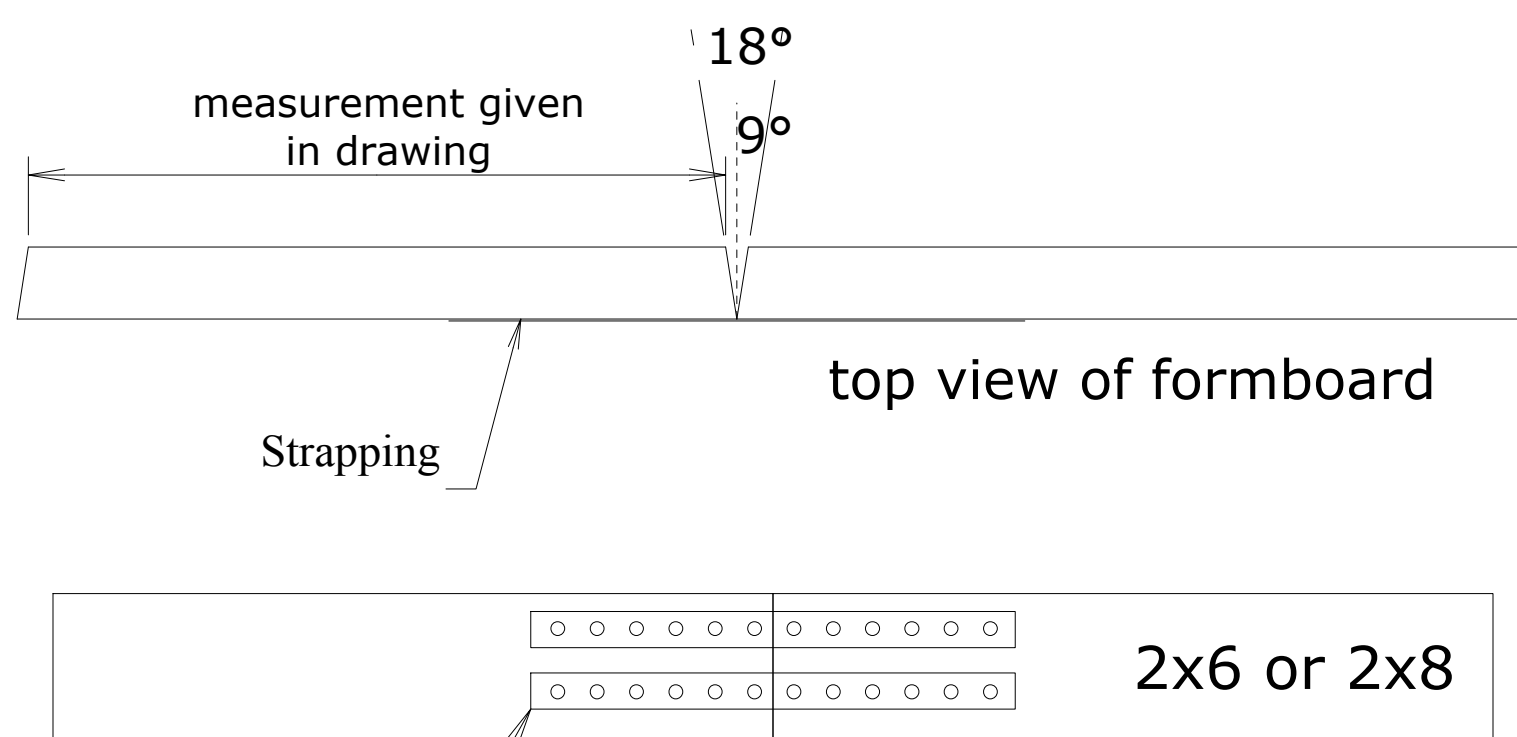
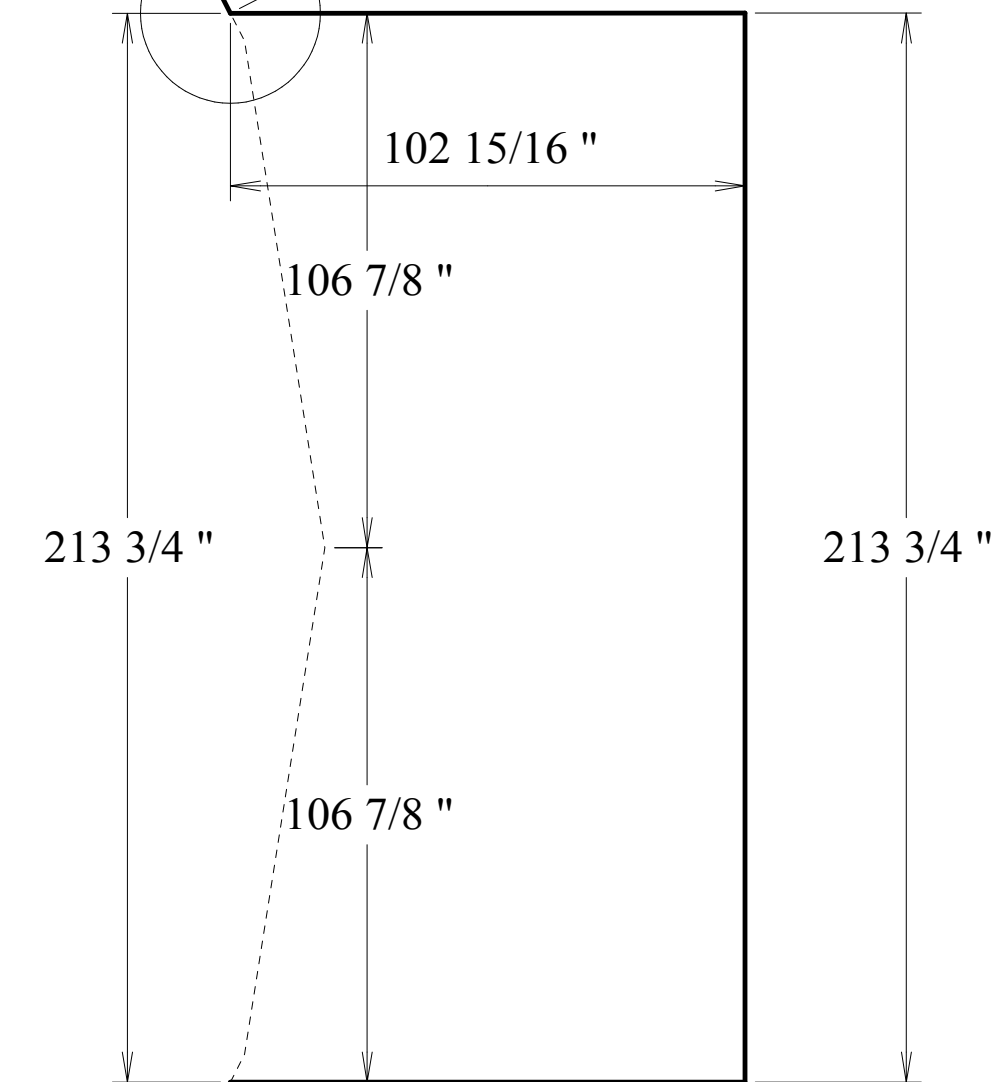
Pour piers and slab first with rebar running through the form boards where the extension(s) will be.

We prefer piers when positioned at every vertice. 12" to 16" dia., as deep as you can go. Engineering fact - piers hold better!



Total square footage: 2446 ft² including the extensions.
4" thick you need 30.17 yds
6" thick, 45.3 yards.
not including footer or piers.

See Detail "A"



formboard detail not to scale