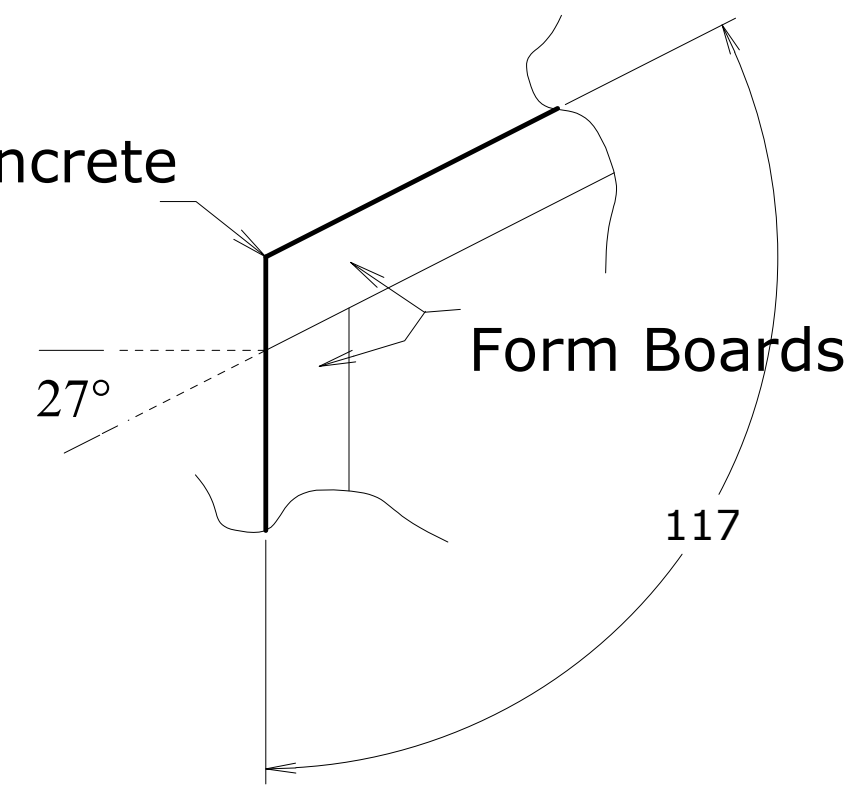


Edge of Concrete

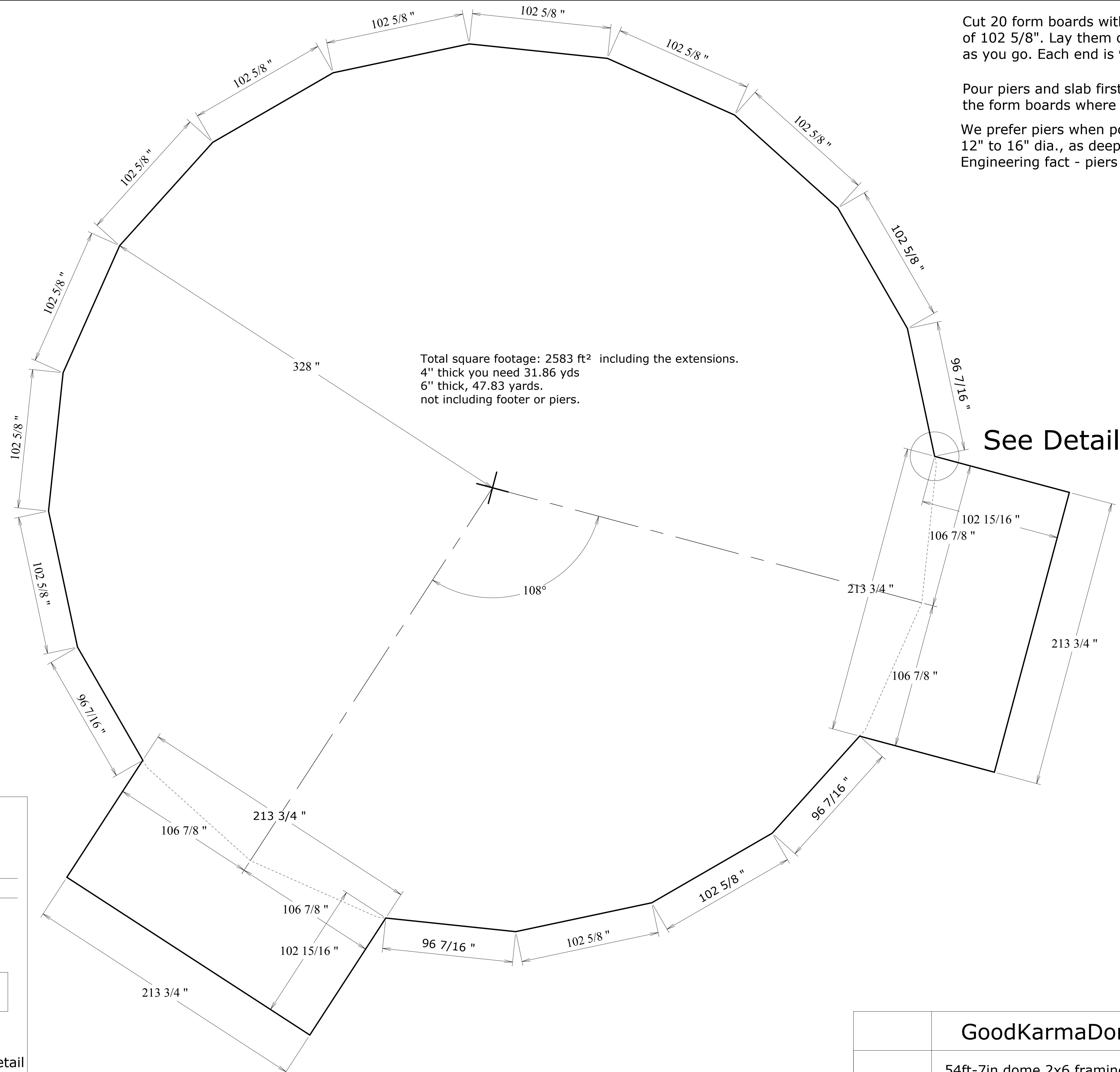


Detail "A" - no scale
Form board/ extension detail

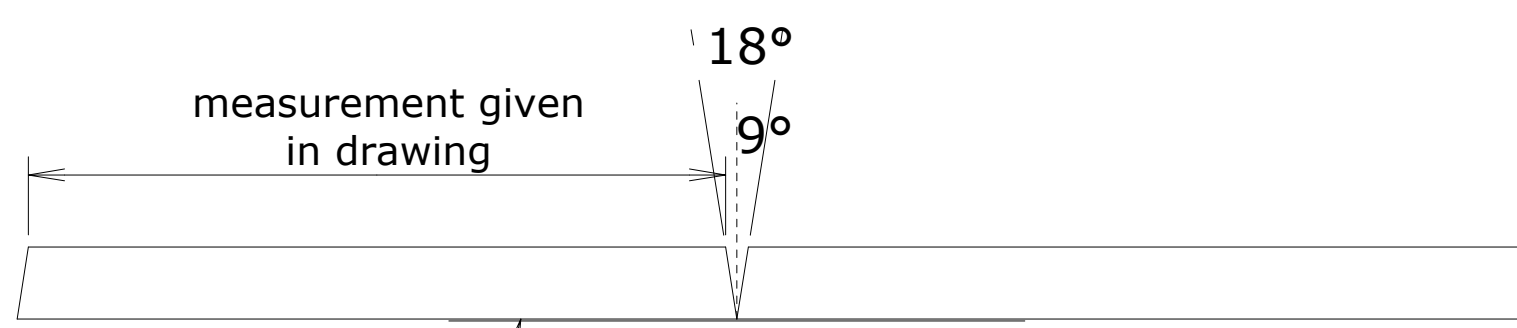
Cut 20 form boards with inside measurement of 102 5/8". Lay them out and strap them as you go. Each end is 9°. Layout extensions

Pour piers and slab first with rebar running through the form boards where the extension(s) will be.

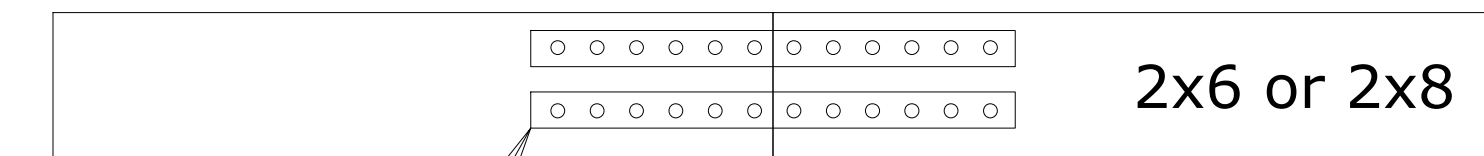
We prefer piers when positioned at every vertice. 12" to 16" dia., as deep as you can go. Engineering fact - piers hold better!



See Detail "A"



top view of formboard



side view of formboard

Simson perforated Strapping to hold wood together

2x6 or 2x8

formboard detail not to scale

GoodKarmaDomes.com

Date: 10/25/09

54ft-7in dome 2x6 framing 3/4" decking