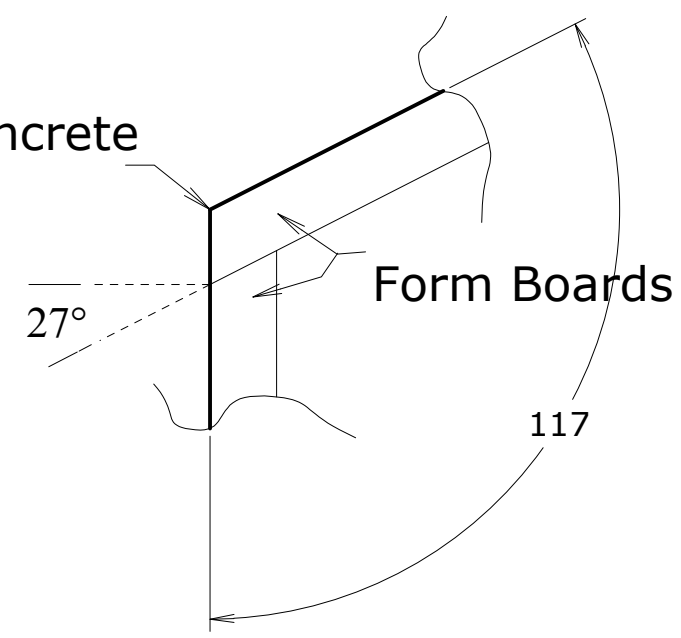


Edge of Concrete

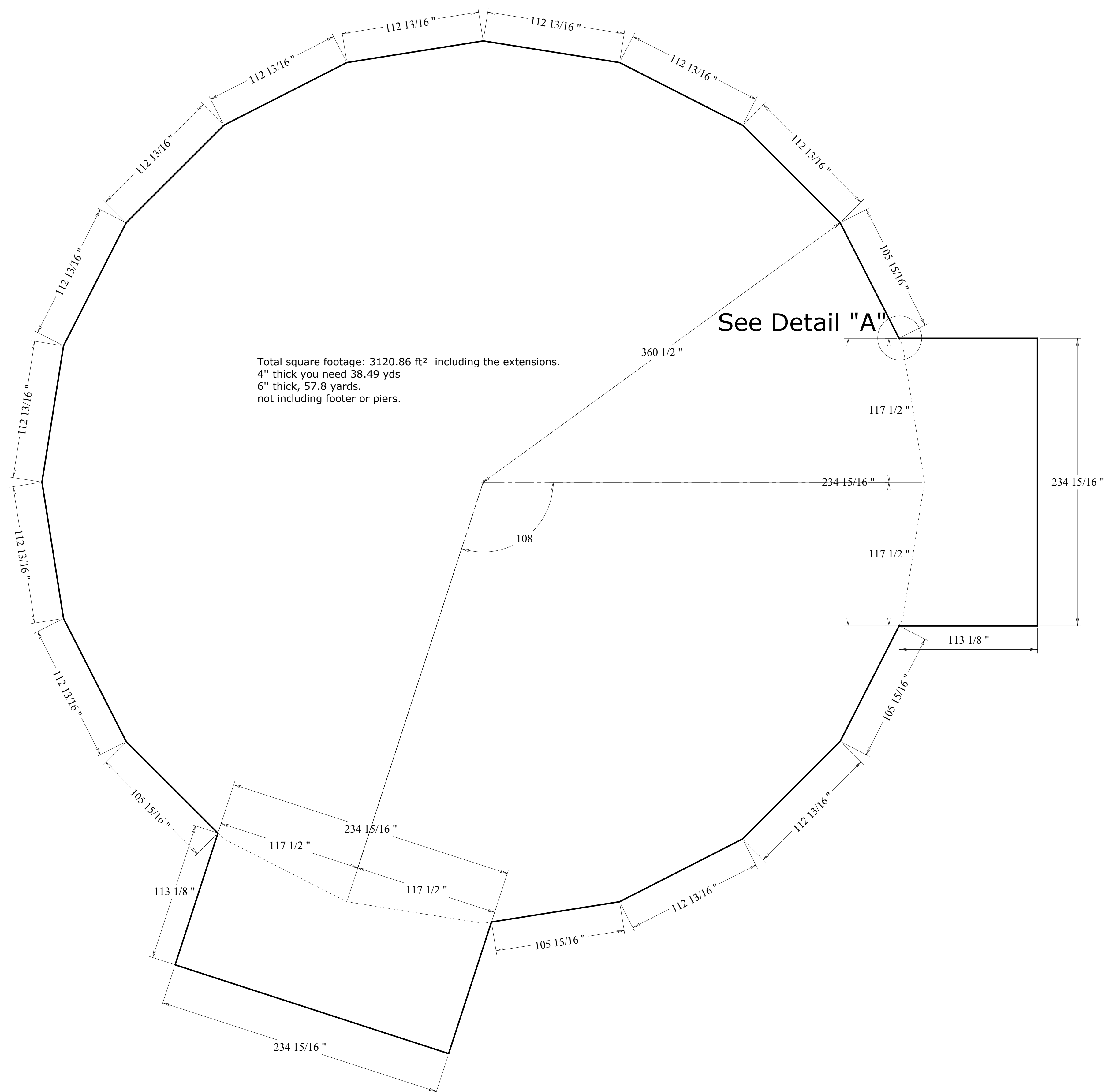


Detail "A" - no scale
Form board/ extension detail

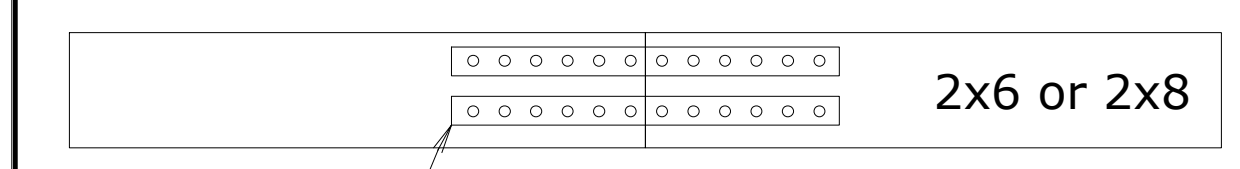
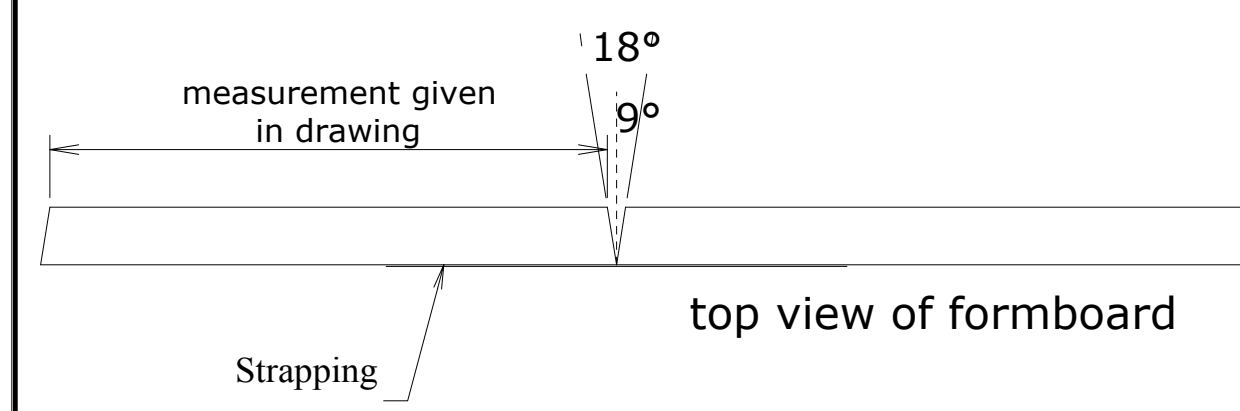
Cut 20 form boards with inside measurement of 112 13/16". Lay them out and strap them as you go. Each end is 9°. Layout extensions

Pour piers and slab first with rebar running through the form boards where the extension(s) will be.

We prefer piers when positioned at every vertice. 12" to 16" dia., as deep as you can go. Engineering fact - piers hold better!



Total square footage: 3120.86 ft² including the extensions.
4" thick you need 38.49 yds
6" thick, 57.8 yards.
not including footer or piers.



formboard detail
not to scale

	GoodKarmaDomes.com	Date: 10/25/09
	60ft dome 2x6 framing 3/4" decking	